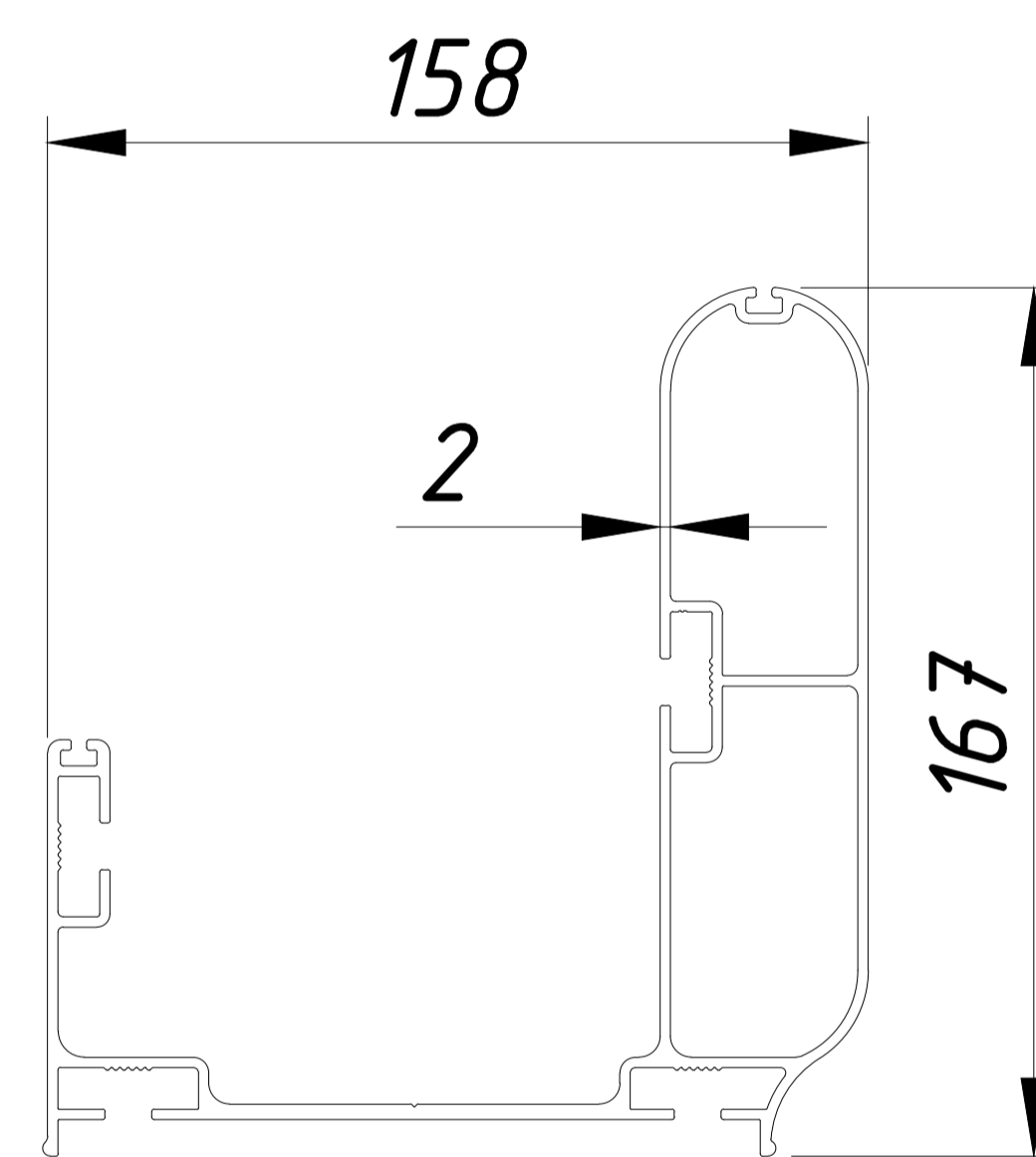
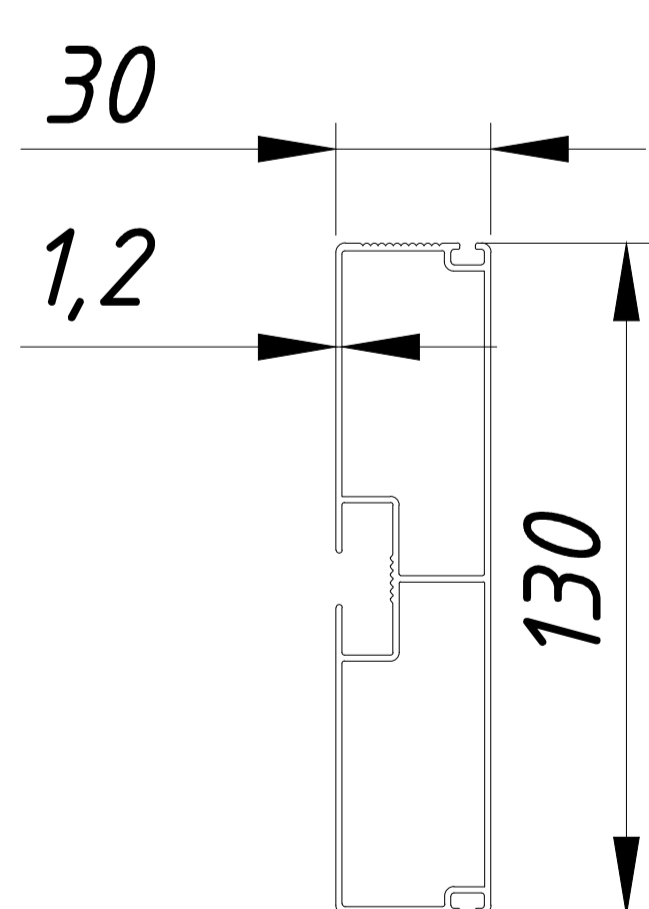


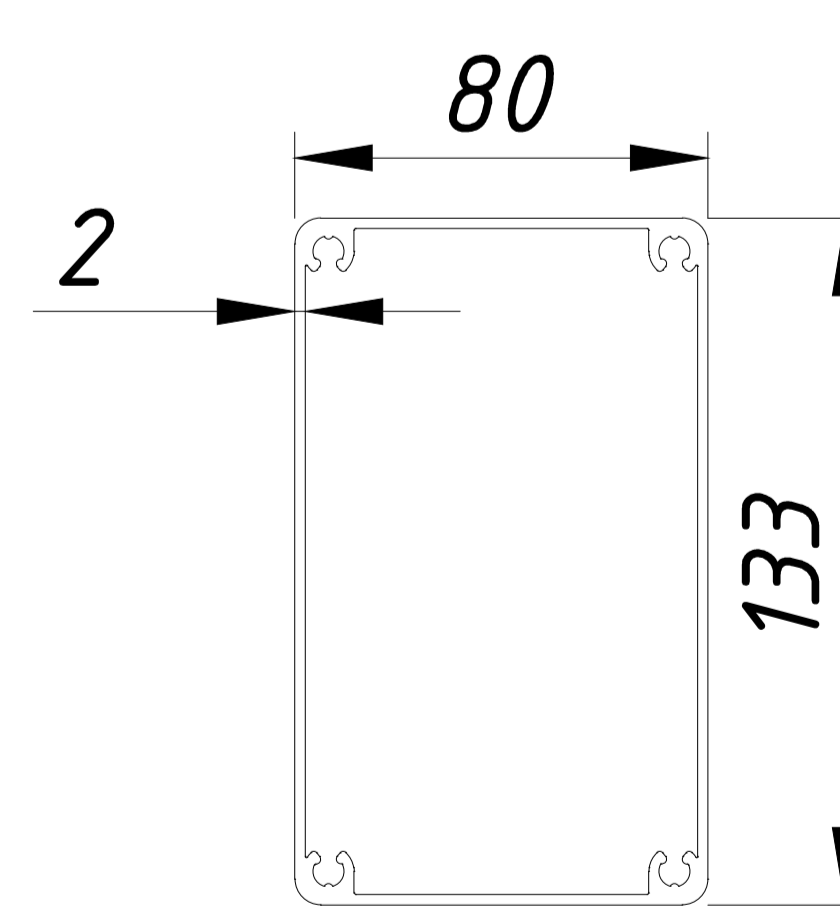
1- GOLD RAIL PROFILE
3,688 kg/m



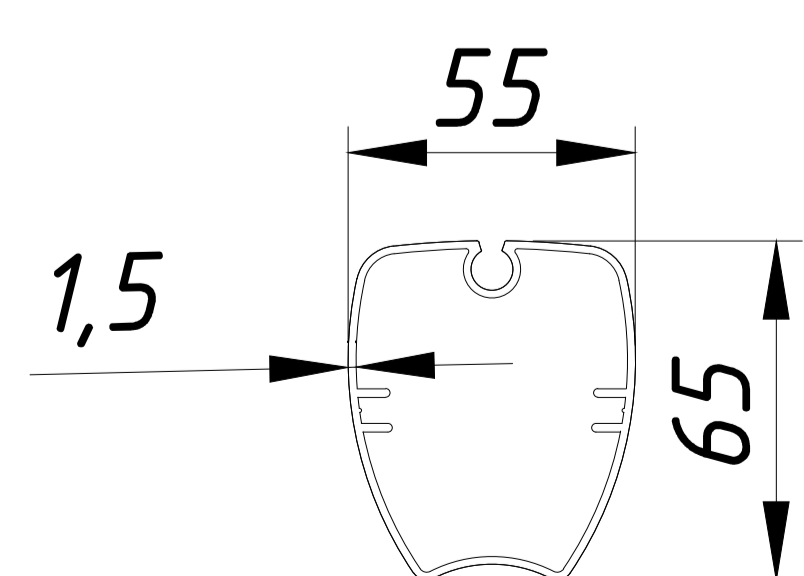
2- GUTTER PROFILE
4,279 kg/m



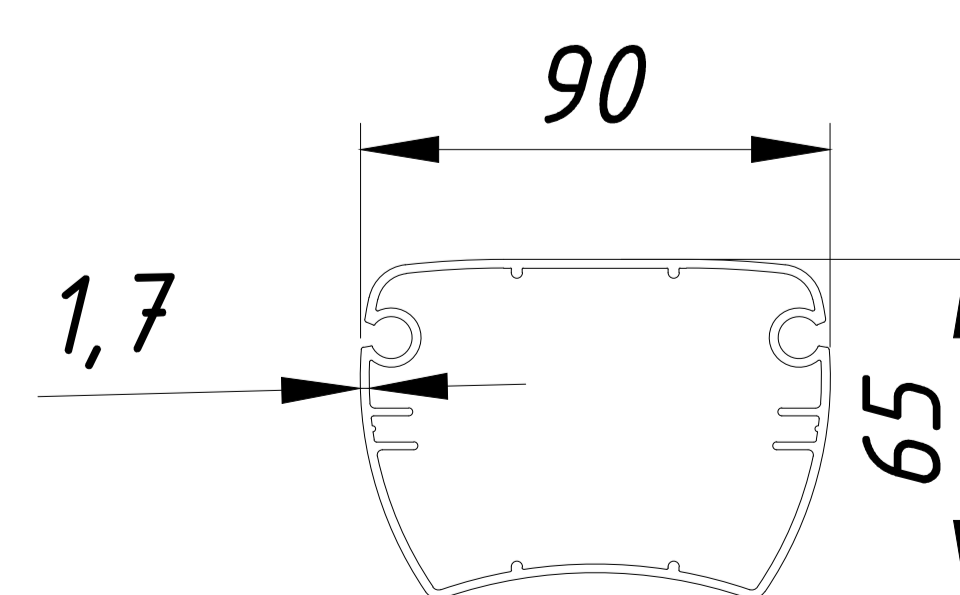
3- SIDE BEAM PROFILE
1,28 kg/m



4- GUTTER PROFILE
2,70 kg/m



5- FABRIC SUPPORT PROFILE
0,826 kg/m



6- FABRIC CARRIER PROFILE
1,601 kg/m